

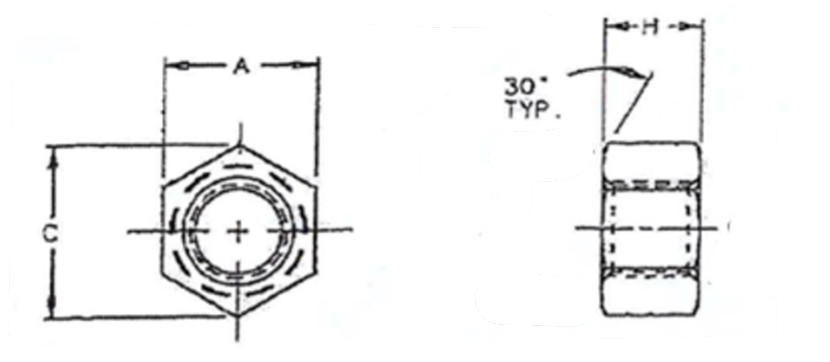


PRODUCT DATA SHEET

USA/CA: brightonBEST.com Europe: brightonBEST.org AU: brightonBEST.com.au NZ: brightonBEST.co.nz Brazil: brightonBEST.com.br

L9 Special Double Chamfer Hex Nuts

1.0 Dimensions: L9 is equivalent to grade 9. IFI does not cover grade 9. L9 is made to BBI's proprietary design.



Nominal Size or Basic Product Diameter	A		C		H	
	Width Across Flats		Width Across Corners		Thickness	
	Max	Min	Max	Min	Max	Min
1/4	0.4375	0.4280	0.505	0.488	0.264	0.250
5/16	0.5000	0.4890	0.577	0.557	0.309	0.293
3/8	0.5625	0.5510	0.650	0.628	0.377	0.360
7/16	0.6875	0.6750	0.794	0.768	0.445	0.426
1/2	0.7500	0.7360	0.866	0.840	0.511	0.490
9/16	0.8750	0.8610	1.010	0.982	0.575	0.552
5/8	0.9375	0.9220	1.083	1.051	0.655	0.630
3/4	1.1250	1.0880	1.299	1.240	0.762	0.733
7/8	1.3125	1.2690	1.516	1.477	0.882	0.850
1	1.5000	1.4500	1.732	1.653	1.018	0.982
1-1/8	1.6875	1.6310	1.949	1.859	1.176	1.136
1-1/4	1.8750	1.8120	2.165	2.066	1.272	1.228
1-1/2	2.2500	2.1750	2.598	2.480	1.526	1.474

Notes: Thread Class of Fit: 2B



**BRIGHTON-BEST
INTERNATIONAL**



P R O D U C T D A T A S H E E T

USA/CA: brightonBEST.com Europe: brightonBEST.org AU: brightonBEST.com.au NZ: brightonBEST.co.nz Brazil: brightonBEST.com.br

L9 Special Double Chamfer Hex Nuts

2.0 Mechanical Properties:

Hardness: 28 to 34 HRC for sizes 1/4 to 5/8 and 35 to 40 HRC for 3/4 and larger.

Proof Load Strength: 180,000 PSI

Grade Marking: 9 circumferential dash marks recessed and centered on the bearing surface on one side only or, at the manufacturer's option 3 notches on 6 corners of the nut.

3.0 Surface Finish:

Cadmium plated yellow with wax. Minimum coating thickness 5 microns or 0.0002".
Hexavalent (Cr+6). 96 hours for red rust.